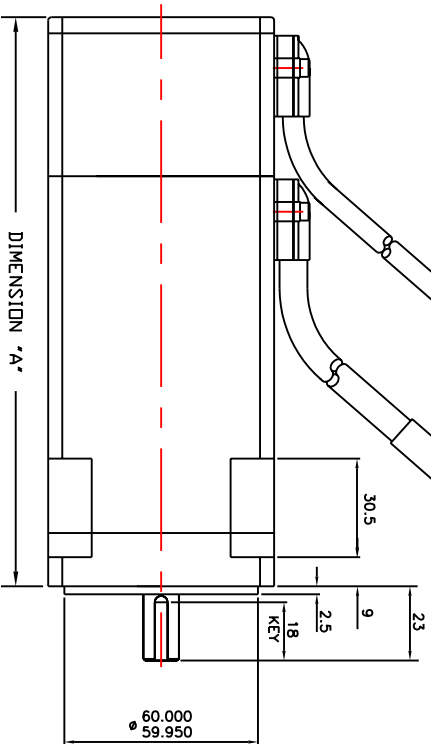


LEAD LENGTHS AS AGREED WITH CUSTOMER

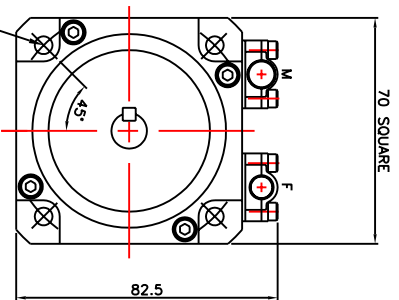
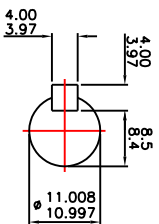
FEEDBACK

POWER
BRAKE - IF FITTED



ALL DIMENSIONS IN MILLIMETRES
TOLERANCES UNLESS STATED
OTHERWISE STATED DIM: 30.25mm

FRAME	DIMENSION 'A'
NO BRAKE	149
WITH BRAKE	176



4 FIXING HOLES $\phi 0.5$ mm
EQUI-SPACED ON 75mm BC DIA.

400 WATT AC BRUSHLESS MOTOR #10558