

# LEGACYADD User Guide

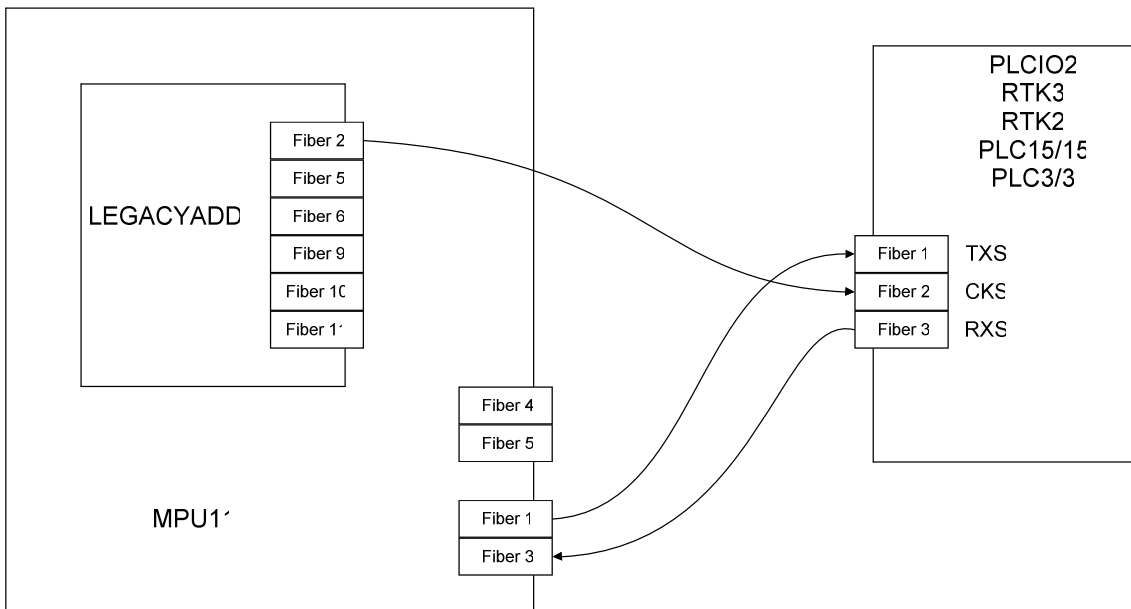
11/11/14

The LEGACYADD board connects to the MPU11 motion control card to provide support for legacy products. Six fiber optic connectors are provided on LEGACYADD to provide enough connection points for legacy protocols.

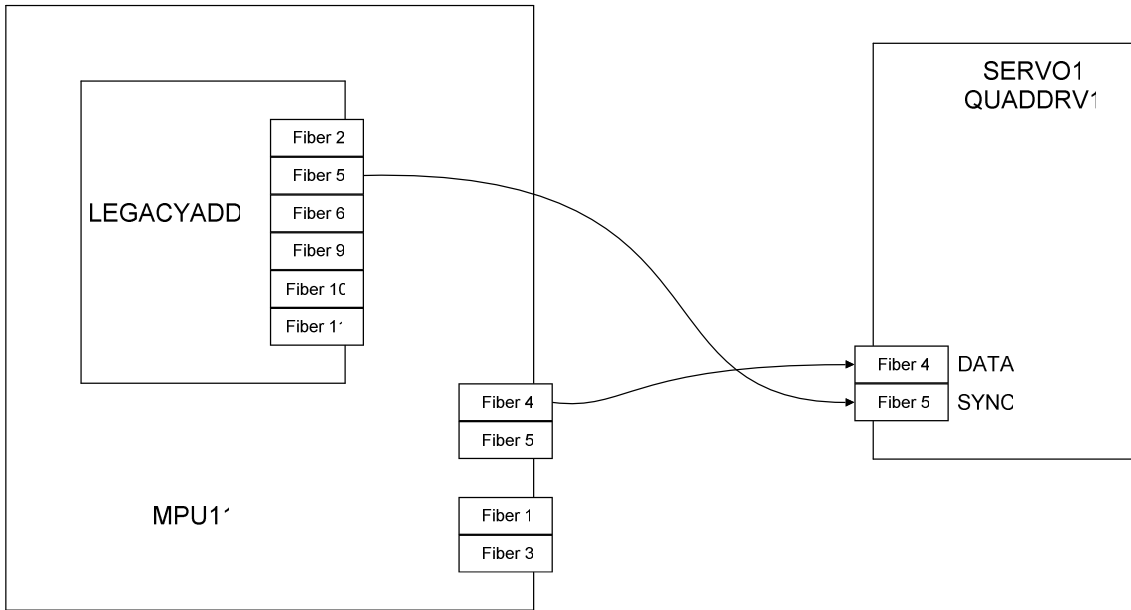
## Connection Overview

LEGACYADD connects to the MPU11 through expansion connectors J5 and J6. In addition, two screws and threaded standoffs provide positive retention.

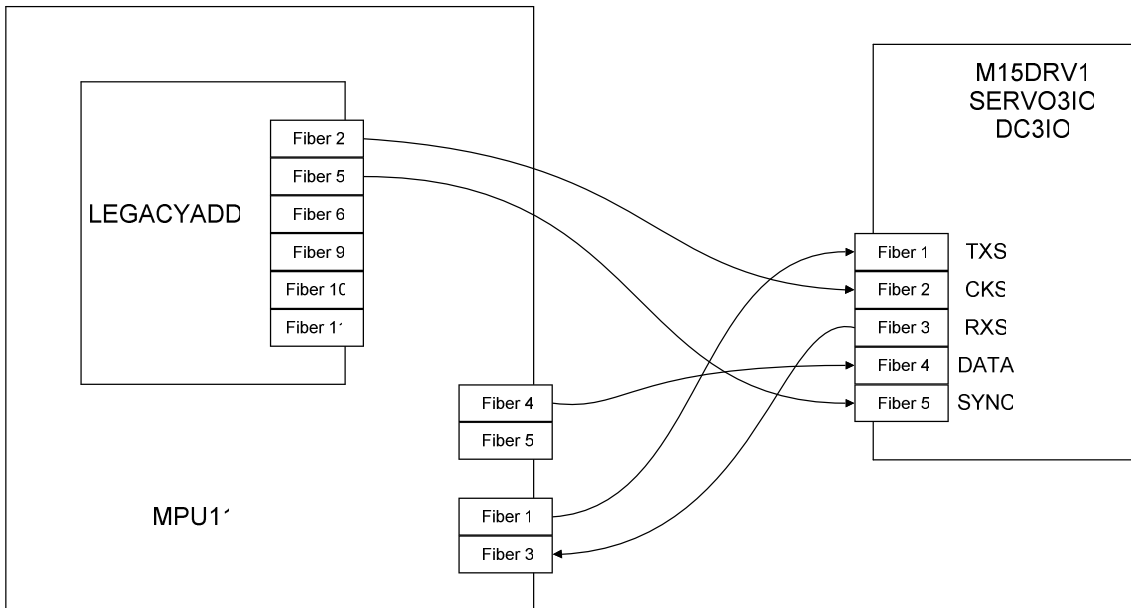
### Legacy PLC Connection



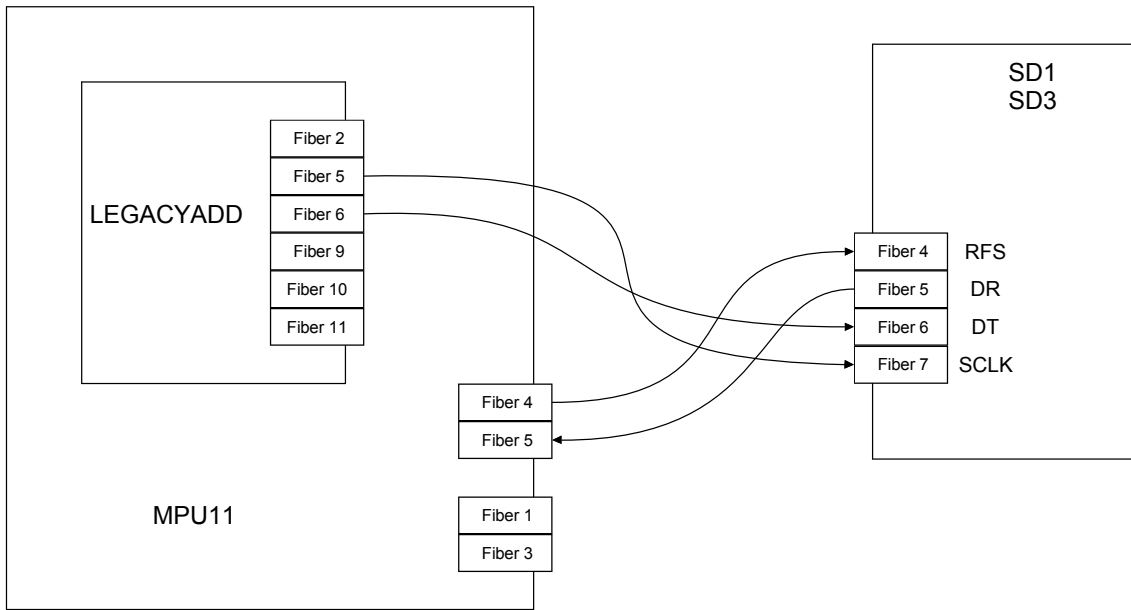
### Legacy DC Drive Connection



### Legacy Drive / PLC Combination Connection



## Legacy Brushless Drive Connection



LEGACYADD Dimensions

